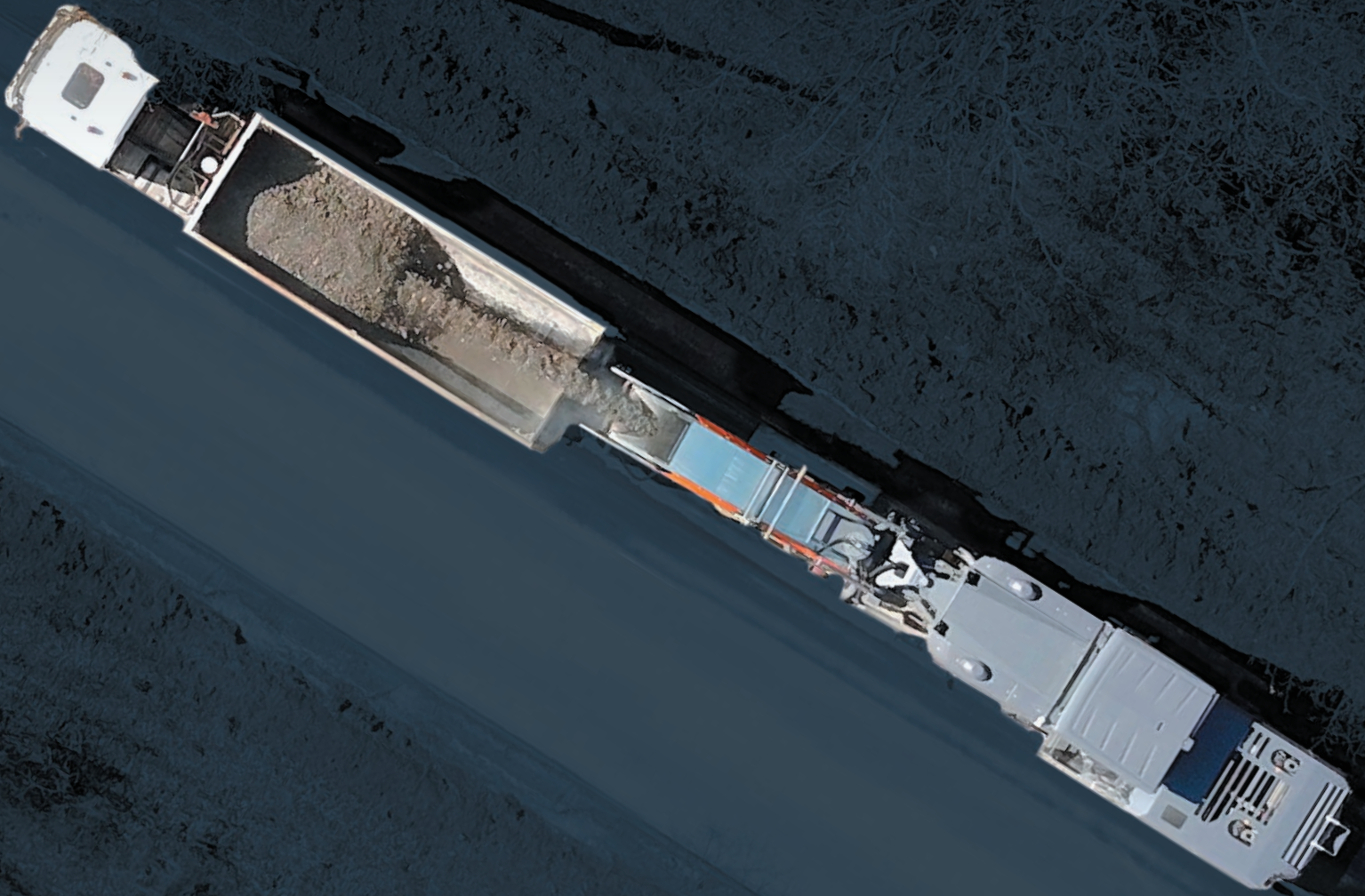


Trimble Roadworks

Paving Control Platform

for Mills and Cold Planers



Mill out the waves

Surpass your milling specifications

Ask for the next generation of machine control. From the company that invented machine control.

Trimble® Roadworks Paving Control Platform for Mills and Cold Planers is the next generation 3D paving control system designed to not only meet milling specifications, but exceed them.

The intuitive Android™ interface on a large, friendly touch screen enables you to precisely control cutting depth of the mill, minimizing over-cutting, creating a smoother surface and reducing the need for additional material in the re-paving process.

From airport runways to highways and racetracks, Trimble Roadworks is designed to meet the most demanding specs on the most complex projects.



Intuitive software, rugged hardware

Roadworks software runs on the powerful and rugged 10-inch (25.4 cm) Trimble TD540 Display, designed for the field. Colorful graphics, natural interactions and gestures, and self-discovery features make Roadworks easy to learn. Each operator can personalize the interface to match their workflow and a variety of configurable views make it easier to see the right perspective for maximum productivity.

The software features the same user interface as existing Roadworks applications, shortening the training time for operators familiar with the platform. Having all machines on the same Trimble platform allows for better fleet management, faster operator training and simpler data management.

Android OS

Modern, colorful graphics



Rugged Display

Configurable views

Trimble 3D milling

With Roadworks you can mill at variable depth and slope, eliminating undulations and preparing a smoother sub-surface for new asphalt. The 3D design is displayed to the machine operator showing areas that are on, above, or below ideal grade. Comparing the actual drum position and slope with the digital design, Roadworks automatically guides the milling drum to cut the ideal depth and slope without string lines or manual adjustments.

Eliminate guesswork and improve safety with the most accurate and reliable milling system on the market. Keep up as projects continue to become more demanding and mill complex designs such as transitions, superelevations and drainages—get it right the first time.

Finish faster with less material

Beat completion deadlines and deliver the highest quality surface at minimal cost. Mill more efficiently and accurately to reduce lane shutdowns and overall construction time. By only milling to the exact depth required, machines burn less fuel and experience less drum teeth wear, fewer trucks are required to remove waste material, and less asphalt is required for the final surface.

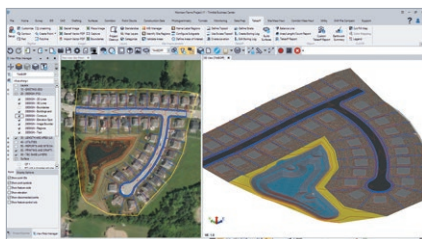
Office-to-field connectivity

Reduce waste and over-cutting with efficient communication and data transfer with Trimble WorksManager Software—a mobile-friendly application that easily manages data and technology equipment across jobsites. With the Trimble SNM941 Connected Site® Gateway, transfer 3D designs from the office to the machine wirelessly and automatically so that the operator is always using the latest design. Productivity data collected from the machine can automatically sync back to the office to track and monitor progress with Trimble WorksOS Software.

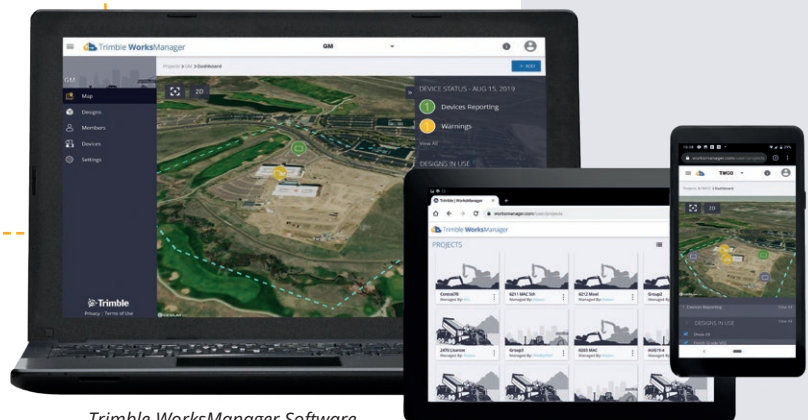
Create optimized 3D milling plans in Trimble Business Center, then generate comprehensive quality and production reports. With Trimble technology, more profits are at your fingertips.



Trimble WorksOS Software

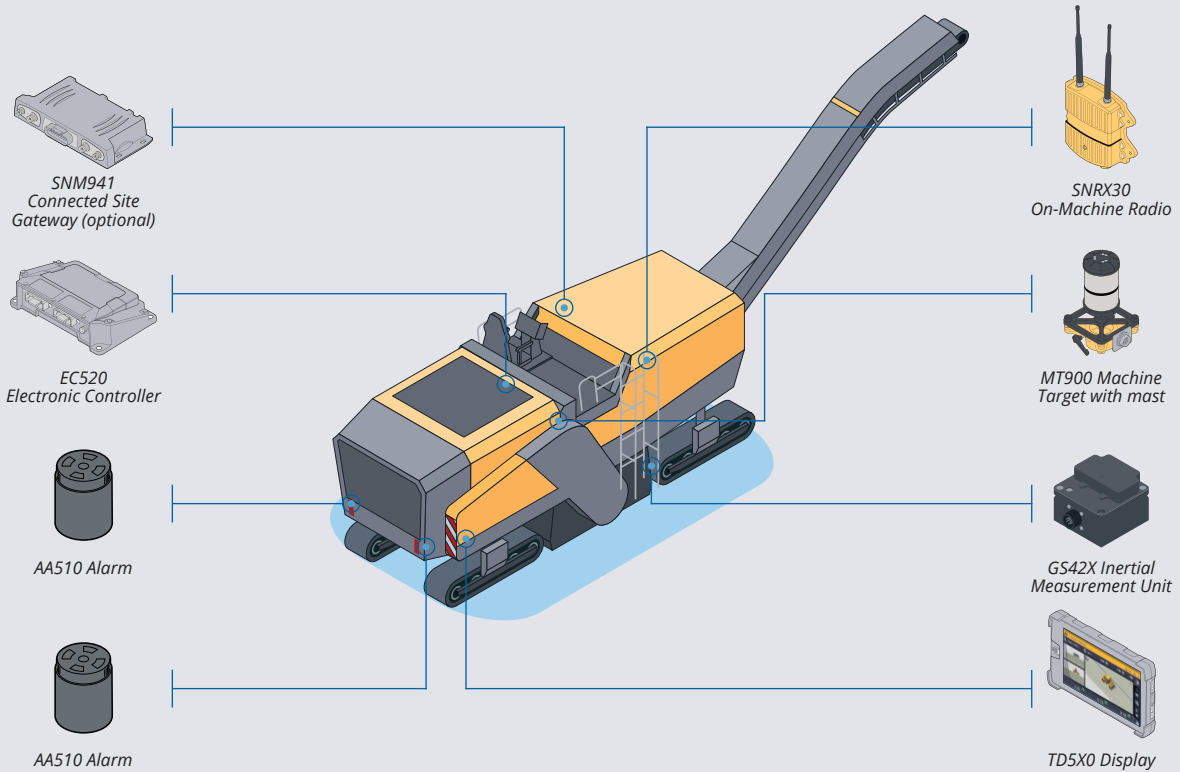


Trimble Business Center



Trimble WorksManager Software

Trimble Roadworks: Mills and Cold Planers configuration



TRIMBLE CIVIL CONSTRUCTION

10368 Westmoor Drive
Westminster, Colorado 80021
USA

civilconstruction.trimble.com

